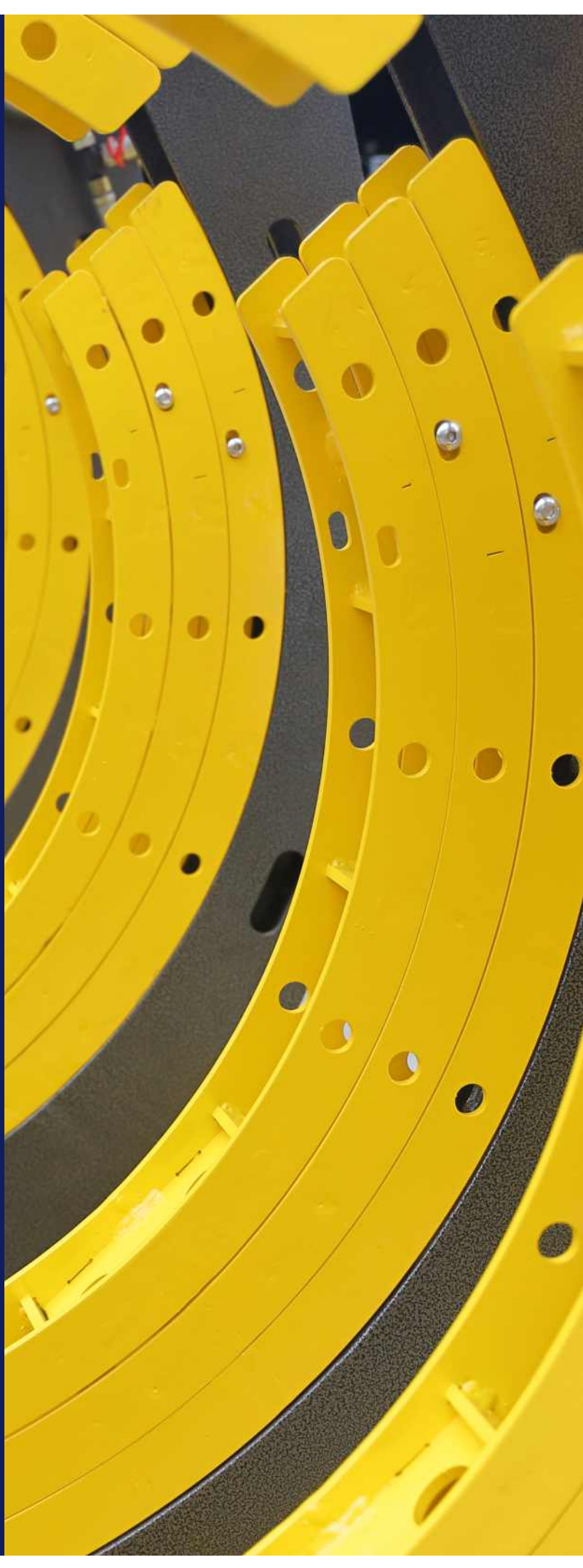




General Catalog Pipe Tools

2022

Dedicated to pipe tools



Band Saw

Portable Cordless Band Saw

WP-10CW1 is a portable and powerful saw for metal/ wood/ plastic pipe cutting. More portable with an stable aluminum base. Great cutting with no sparks.

Specification:

- Powered by 18V Li-ion Battery
- Speed adjustable: 5 options
- Max cutting capacity at 90 degree:
 - Round workpiece(dia) : 114mm (4-1/2")
 - Rectangular workpiece without stand: 114*120mm (4 1/2"*4 3/4")
- Max cutting capacity at 45 degree:
 - Round workpiece(dia) : 50mm (2")
 - Rectangular workpiece without stand: 45*45mm (1 3/4"*1 3/4")



Standard Equipment:

- Fast Charger
- Battery Cartridge
- Band Saw Blade
- Hex Wrench

Powered by 18V Li-ion Battery

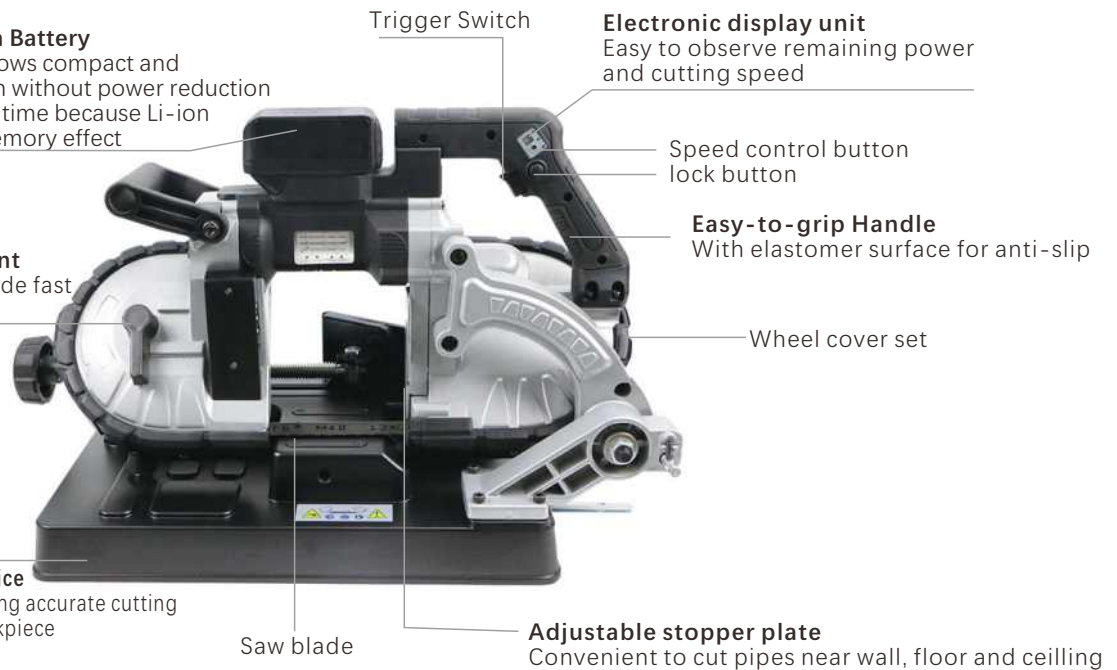
- *High power density allows compact and lightweight tool design without power reduction
- *Can be charged at any time because Li-ion battery is free from memory effect

Easy blade replacement

Release/stretch the blade fast with large lever

Workpiece clamping device

Convenient for angle cutting accurate cutting
Convenient for fix the workpiece



Catalog No.	Model No.	Power	belt speed	Net Weight (kg)	packing size (cm)
680010	WP-10CW1	18V Li-ion battery	60-120m/min (196-334ft/min)	13.6	58*30*38

Bi-Metal Band Saw Blade



No.of teeth inch	Thickness of work piece	application	Meas (mm)
10-14	>=3mm	plastic and non-ferrous metal. Mild steel. cast steel and cast iron, electric cable.	13*0.65*1140
14-18	<3mm		



Battery & Charger



battery	Fast Charging	Average continuous working time
4.0AH	80min	60min
6.0AH	120min	120min

Band Saw

Portable Horizontal Band Saw

WP-18F1 pipe cutting band saw for metal is specially designed for cutting multiple materials. It can cut iron pipes, thick-walled pipes, stainless steel pipes, cables and PVC plastic pipes accurately and easily.

Specification:

- Powered by 250W motor
- No sparks, no flying cutting powder.
- Max cutting capacity at 90 degree:
 - Round workpiece(dia) : 180mm (7")
 - Rectangular workpiece without stand: 180*180mm (7"*7")
- Max cutting capacity at 45 degree:
 - Round workpiece(dia) : 100mm (4")
 - Rectangular workpiece without stand: 100*100mm (4"*4")



Standard Equipment:

- Upper Pressing Device
- Length Positioning Rod
- Fuse
- Switch
- Tire

Easy blade replacement

Release/stretch the blade fast with large lever

Saw Blade Guide

Make the saw blade run more stable

Workpiece clamping device

- *Convenient for angle cutting accurate cutting
- *Convenient to fix the workpiece.



Catalog No.	Model No.	Power	Voltage	belt speed	Net Weight (kg)	packing size (cm)
681020	WP-18F1	250W motor	220V-50HZ	45m/min (147.6ft/min)	61	95*31*40

Bi-Metal Band Saw Blade



No.of teeth inch	Thickness of work piece	application	Meas (mm)
10-14	>=3mm	plastic and non-ferrous metal. Mild steel.cast steel and cast iron, electric cable.	13*0.65*1745
14-18	>3mm		

Band Saw

Portable Horizontal Band Saw

WP-22F3 pipe cutting band saw for metal is specially designed for cutting multiple materials. It can cut iron pipes, thick-walled pipes, stainless steel pipes, cables and PVC plastic pipes accurately and easily.

Specification:

- Powered by 370W motor
- No sparks, no flying cutting powder.
- Max cutting capacity at 90 degree:
 - Round workpiece(dia) : 220mm (8 5/8")
 - Rectangular workpiece without stand: 220*220mm (8 5/8"*8 5/8")
- Max cutting capacity at 45 degree:
 - Round workpiece(dia) : 100mm (4")
 - Rectangular workpiece without stand: 100*100mm (4"*4")



Standard Equipment:

- Upper Pressing Device
- Length Positioning Rod
- Fuse
- Switch
- Tire

Easy blade replacement

Release/stretch the blade fast with large lever

Saw Blade Guide

Make the saw blade run more stable

Saw blade

Workpiece clamping device

- *Convenient for angle cutting accurate cutting
- *Convenient to fix the workpiece.

Power switch



370W motor

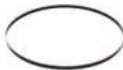
Moving wheel
Easy to move

Hydraulic cylinder

Accurately adjust vertical cutting speed

Catalog No.	Model No.	Power	Voltage	belt speed	Net Weight (kg)	packing size (cm)
681021	WP-22F3	370W motor	220V-50HZ	45m/min (147.6ft/min)	75	103*32*53

Bi-Metal Band Saw Blade



No.of teeth inch	Thickness of work piece	application	Meas (mm)
10-14	>=3mm	plastic and non-ferrous metal. Mild steel.cast steel and cast iron, electric cable.	16*0.65*1900
14-18	<3mm		

Band Saw

Portable Band Saw

WP-145W1 pipe cutting band saw for metal is specially designed for cutting multiple materials. It can cut iron pipes, thick-walled pipes, stainless steel pipes, cables and PVC plastic pipes accurately and easily.

Specification:

- Powered by 680W motor
- No sparks, no flying cutting powder.
- Max cutting capacity at 90 degree:
 - Round workpiece(dia) : 140mm (5 1/2")
 - Rectangular workpiece without stand:180*140mm (7"*5 1/2")
- Max cutting capacity at 45 degree:
 - Round workpiece(dia) : 55mm (2 1/8")
 - Rectangular workpiece without stand: 50*90mm (2"*3 1/2")



Standard Equipment:

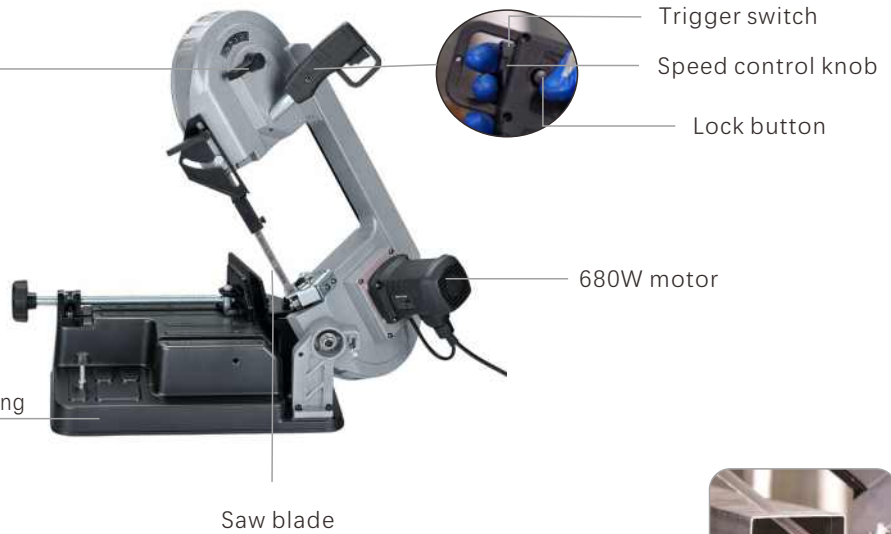
- Band Saw Blade
- Hex Wrench

Easy blade replacement

Release/stretch the blade fast with large lever

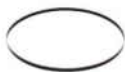
Workpiece clamping device

- *Convenient for angle cutting accurate cutting
- *Convenient to fix the workpiece.



Catalog No.	Model No.	Power	Voltage	belt speed	Net Weight (kg)	packing size (cm)
681022	WP-145W1	680W motor	220V-50HZ	60-102m/min (196-334ft/min)	18	66*43*32

Bi-Metal Band Saw Blade



No.of teeth inch	Thickness of work piece	application	Meas (mm)
10-14	>=3mm	plastic and non-ferrous metal. Mild steel. cast steel and cast iron, electric cable.	13*0.65*1500
14-18	<3mm		



Hangzhou Welping Machinery Equipment Co., Ltd

Phone: 00 86 571 89332538

E-mail: top@welping.cn Web: www.welpingtool.com

Office address: Room 1904 Building 1, Taifu Plaza, No. 1 Tonghui Middle Road,
Xiaoshan District, Hangzhou

Factory address: No. 2 Jinyuan Road, Puyang Town, Xiaoshan District, Hangzhou, China